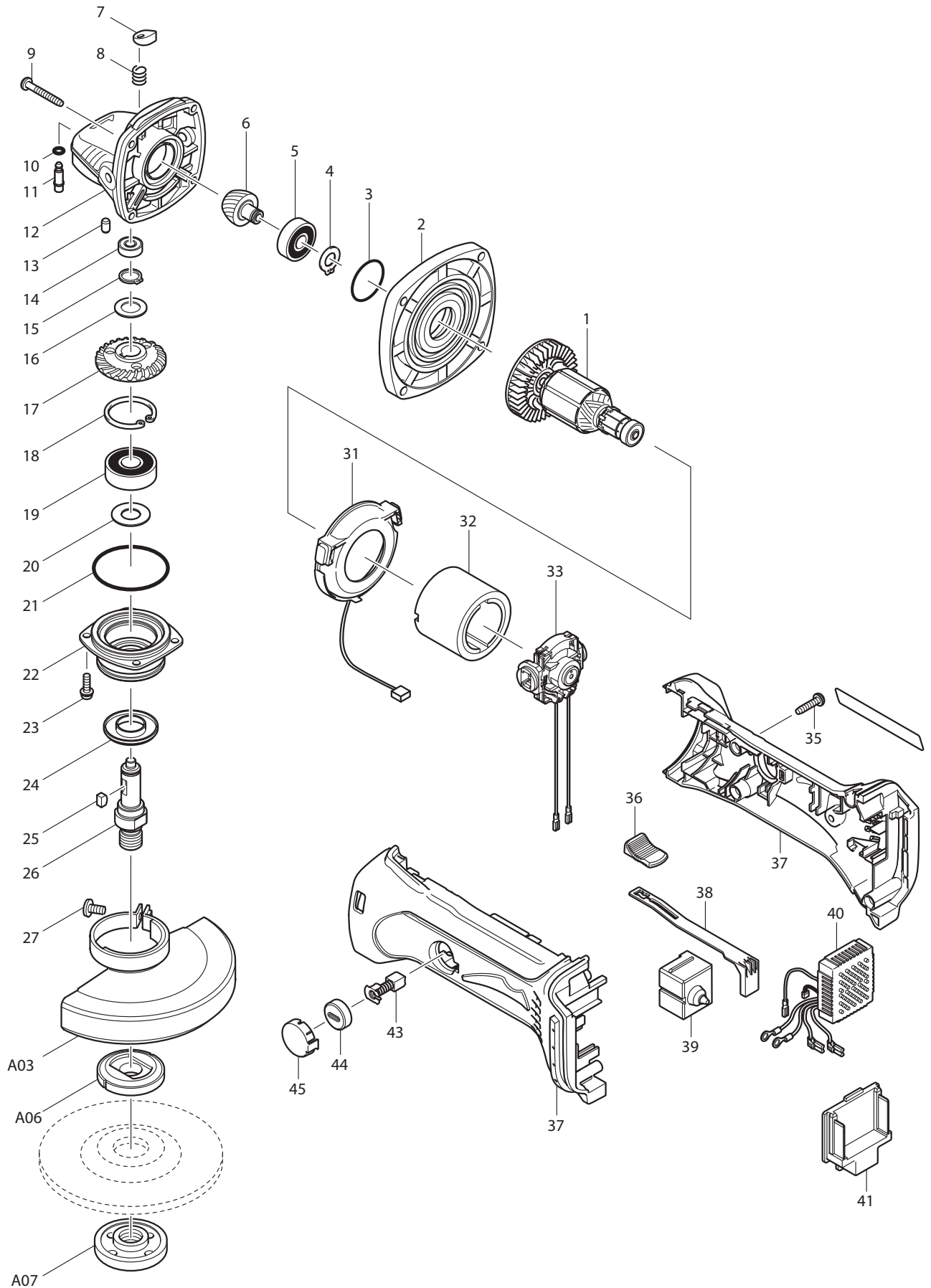




09 - 2011  
BGA452 / BGA452Z / BGA452F  
18V 4-1/2" GRINDER



Item No	Type	Ref	Part No	Description	Qty	Unit
1	1		519184-8	ARMATURE ASS'Y 18V - N/L/A	1	PC.
	2		510091-8	ARMATURE ASS'Y 18V - N/L/A	1	PC.
		INC.	421977-0	RUBBER RING 13	1	PC.
	3		619218-8	ARMATURE	1	PC.
		INC.	421977-0	RUBBER RING 13	1	PC.
2			317821-6	GEAR HOUSING COVER	1	PC.
3			213445-5	O-RING 26	1	PC.
4			961005-4	RETAINING RING S-9	1	PC.
5	1		210053-3	BALL BEARING 629LLB - N/L/A	1	PC.
	2		210042-8	BALL BEARING 629LLB	1	PC.
6			227501-5	SPIRAL BEVEL GEAR 19	1	PC.
7			417771-6	PIN CAP	1	PC.
8			233072-2	COMPRESSION SPRING 8	1	PC.
9	1		266050-7	TAPPING SCREW 4X30	4	PC.
	2		266361-0	TAPPING SCREW 4X30	4	PC.
10			213960-9	O RING 5	1	PC.
11			256496-5	SHOULDER PIN 4	1	PC.
12			318051-2	GEAR HOUSING	1	PC.
13			263002-9	RUBBER PIN 4	1	PC.
14			210033-9	BALL BEARING 696ZZ	1	PC.
15			961052-5	RETAINING RING S-12	1	PC.
16			253744-3	FLAT WASHER 12	1	PC.
17			227502-3	SPIRAL BEVEL GEAR 39	1	PC.
18			962151-6	RETAINING RING R-32	1	PC.
19	1		211149-3	BALL BEARING 6201DDW - N/L/A	1	PC.
	2		211129-9	BALL BEARING 6201DDW	1	PC.
20			267238-2	FLAT WASHER 12	1	PC.
21			213622-9	O RING 45	1	PC.
22			317819-3	BEARING BOX	1	PC.
23			911121-2	PAN HEAD SCREW M4X14	4	PC.
24			345464-4	LABYRINTH RING	1	PC.
25			254011-9	WOODRUFF KEY 4	1	PC.
26			324474-4	SPINDLE	1	PC.
27			265103-9	PAN HEAD SCREW M5X14	1	PC.
31			631714-6	LED CIRCUIT	1	PC.
32	1		638376-1	YOKE UNIT	1	PC.
	2		638627-2	YOKE UNIT	1	PC.
33			638448-2	ENDBELL COMPLETE	1	PC.
35	1		265995-6	TAPPING SCREW 4X18	5	PC.
	2		266326-2	TAPPING SCREW 4X18	5	PC.
36			419566-3	SWITCH KNOB	1	PC.
37	1		188106-5	HOUSING SET - N/L/A	1	SET
	2		188704-5	HOUSING SET	1	SET
38			419519-2	SWITCH LEVER	1	PC.
39			650579-7	SWITCH 1246.3223, SINGLE, BROWN	1	PC.
40	1		631713-8	CONTROLLER	1	PC.
	2		620072-5	CONTROLLER	1	PC.
41	1		643812-4	TERMINAL, BLACK	1	PC.
	2		643838-6	TERMINAL	1	PC.
43	1		191971-3	CARBON BRUSH CB-430, 2PCS/SET, W/O ORIGIN - N/L/A	1	SET
	2		195018-5	CARBON BRUSH CB-430, 2PCS/SET, W/ ORIGIN	1	SET
44			643954-4	BRUSH HOLDER CAP	2	PC.
45			419518-4	HOLDER CAP COVER	2	PC.

Item No	Type	Ref	Part No	Description	Qty	Unit
			<b>ACCESSORIES</b>			
<b>- See catalogue or visit <a href="http://www.makita.ca">www.makita.ca</a> for optional accessory -</b>						
A01	1		153489-2	GRIP 36 COMPLETE	1	PC.
	2		158237-4	GRIP 36 COMPLETE	1	PC.
A02	1		782422-3	LOCK NUT WRENCH 28 - N/L/A	1	PC.
	2		782424-9	LOCK NUT WRENCH 28	1	PC.
A03			135103-2	WHEEL COVER ASS'Y (C.O.W)	1	PC.
		INC.		Item No. 27		
			125267-0	WHEEL COVER ASS'Y (D.C.W)	1	PC.
		INC.		Item No. 27		
A04	1		D-20105	4-1/2" THIN CUT-OFF F/STAINLESS, WA60T	1	PC.
	2		724115-A	THIN CUTTING 4-1/2" F/STEEL, FSC	1	PC.
	2		724115A25	4-1/2" THIN CUT-OFF F/STEEL, 25PC/PK	1	PC.
	Opt.		724112A25	4-1/2" THIN CUT-OFF F/STAINLESS, 25PC/PK	1	PC.
A05	1		A-80640	4-1/2" D.C.W. WA36N (BULK)	1	PC.
	2		741423-B	4-1/2" DEPRESSED CENTER WHEEL A24P	1	PC.
	3		D-20781	4 1/2" DEPRESSED CENTER WHEEL A24R	1	PC.
A06			224399-1	INNER FLANGE 45	1	PC.
A07	1		224576-5	LOCK NUT 5/8'-45	1	PC.
	2		224568-4	LOCK NUT 5/8-45	1	PC.
A08	1		DC18RA	CHARGER DC18RA	1	PC.
	2		DC18RC	CHARGER DC18RC	1	PC.
A09			194205-3	18V LI-ION BATTERY BL1830	2	PC.
A10			450128-8	BATTERY COVER	1	PC.
A11	1		824767-4	PLASTIC CARRYING CASE	1	PC.
		INC.	163455-1	LATCH	2	PC.
	2		141257-5	PLASTIC CARRYING CASE	1	PC.
		INC.	163455-1	LATCH	2	PC.
A12			743036-3	RUBBER PAD F/4-1/2" GRINDER	1	PC.
A13			192227-7	SUPER FLANGE - Not for North America	1	PC.
A14	1		224515-5	SANDING LOCK NUT 14-48	1	PC.
	2		193048-0	SANDING LOCK NUT 5/8-48	1	PC.
A15			794592-6	ABRASIVE DISC 115 #40, HOOK&LOOP, UNI	1	PC.
			794594-2	ABRASIVE DISC 115 #80, HOOK&LOOP, UNI	1	PC.
			794596-8	ABRASIVE DISC 115 #180, HOOK&LOOP, UNI	1	PC.